

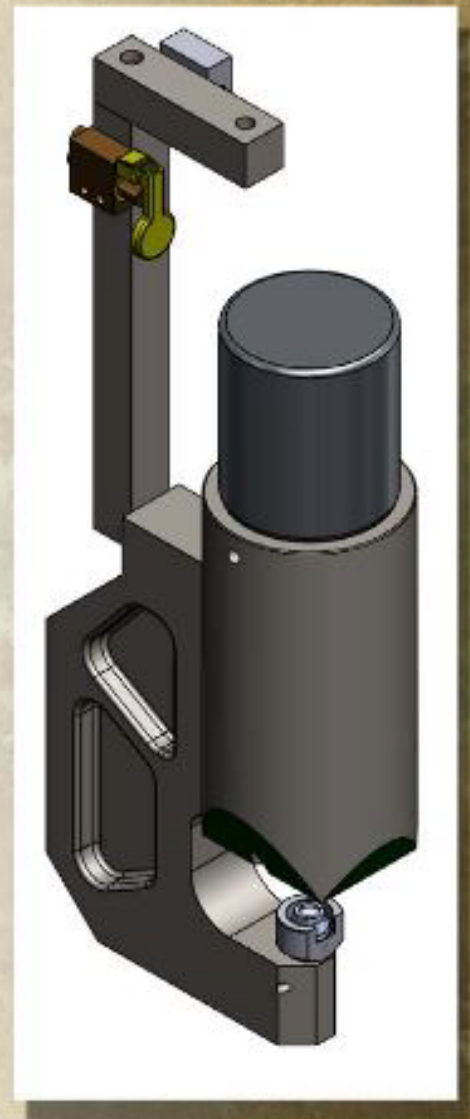
# The Heavy Duty "Watson"

## The widest range of clinching options

The heavy duty Watson tool is designed for maximum flexibility. Providing a strong, round or rectangular clinch, this tool can fasten up to 1/4" total thickness of mild steel, aluminum, copper, zinc and various other alloys, with the option of clinching up to 18g stainless steel (with select punches and dies). Hole punching is available up to Ø7/16".

## Advantages:

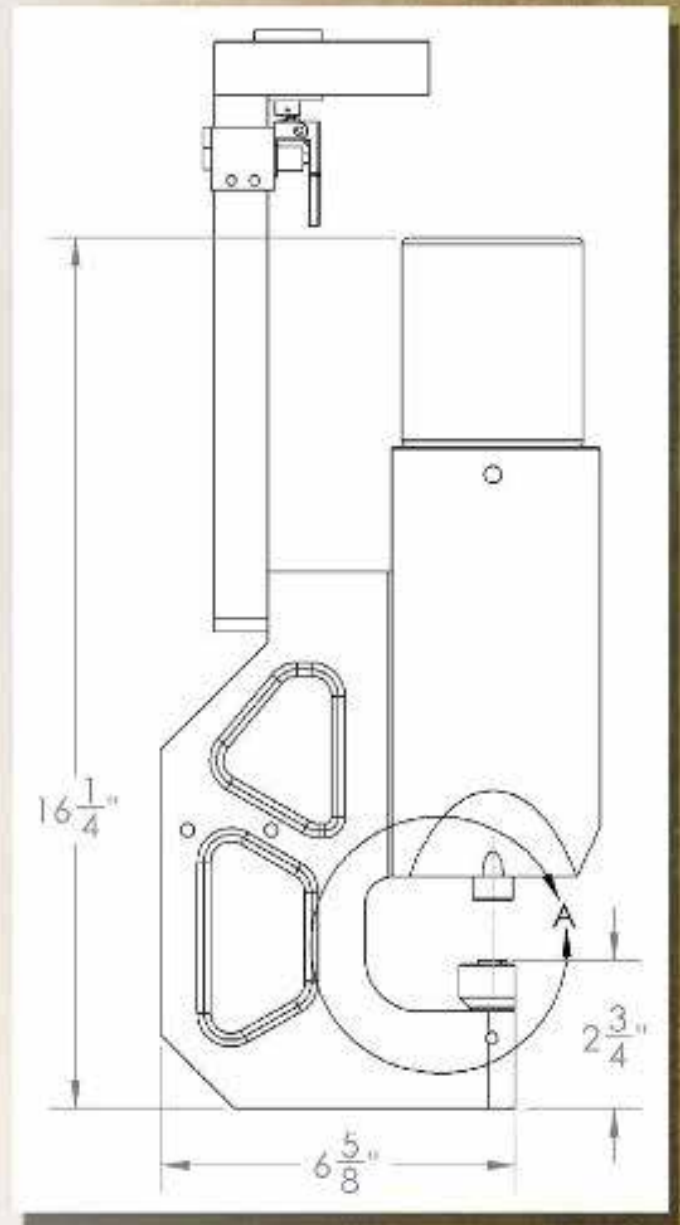
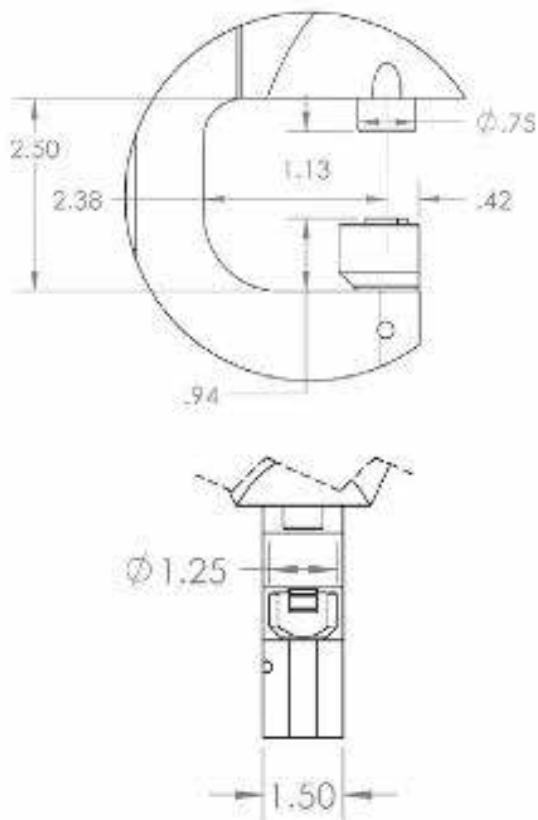
- sturdy, rigid punches and dies give low tool consumption and minimal operating costs
- no separate fasteners to buy, sort or feed
- no thermal stress around the joined area
- very good consistency of the joint
- rapid, non-destructive testing of the joint
- ideal for large workpieces
- ideal for joining more than two layers
- fastens pre-painted or galvanized material
- fastens stainless austenitic steel
- fastens materials with foils or adhesive intermediate layers
- fully customizable frame offering different strokes, throat depths and hanging arrangements
- single stroke or dual stage approach stroke available
- widest range of clinching available (2ply 30g up to 2ply 10g)
- high speed booster available (double the speed)



# The Heavy Duty "Watson"

## Technical Data:

Workhead weight:	46 lbs
Total weight, inc. Booster:	116 lbs
Working air pressure:	80 psi
Hydraulic pressure at 6 bar:	2,000 psi
Cycle Time:	1.5-2.0 s
Max thickness, mild steel:	0.250"



**NORLOK**  
TECHNOLOGY INC.

DISTRIBUTED BY