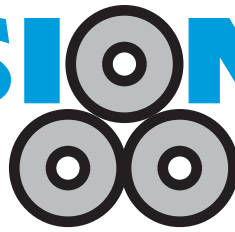


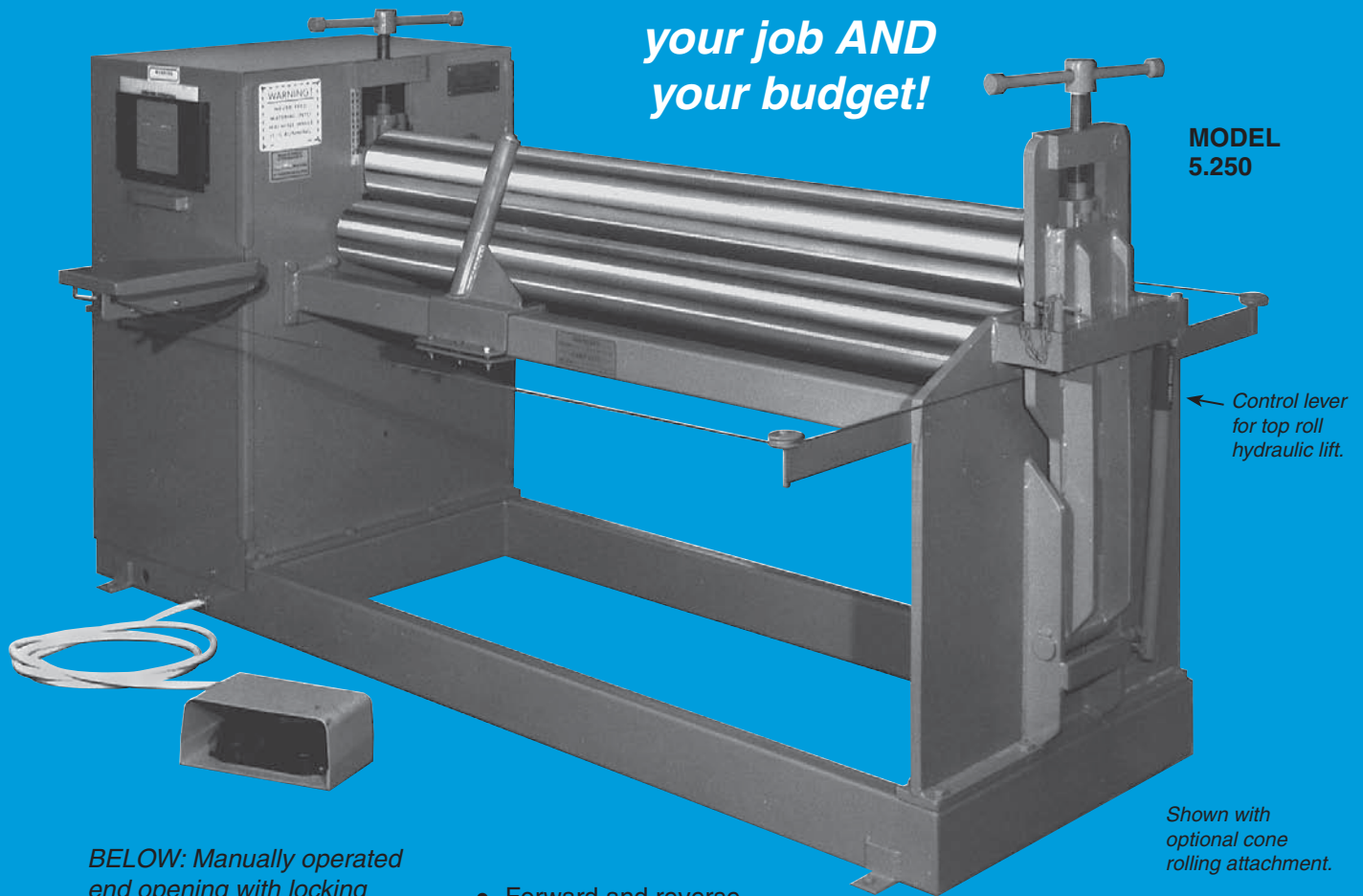
PRECISION PERFORMANCE with **NEW DIMENSION**

PYRAMID TYPE



Power Rolls

*A model to match
your job AND
your budget!*

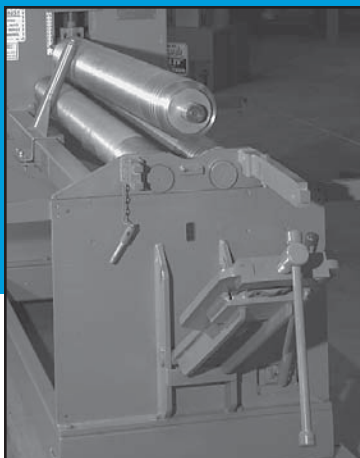


**MODEL
5.250**

← Control lever
for top roll
hydraulic lift.

Shown with
optional cone
rolling attachment.

*BELOW: Manually operated
end opening with locking
device.*



- Forward and reverse safety foot switch.
- 1½" roll opening will accept square tubing, pipe, etc.
- Ball and roll friction-reducing bearings throughout.
- Adjustable self-centering top roll has convenient hydraulic power lift.
- Sensible, efficient design for low maintenance and high productivity.
- Heavy-duty welded construction for years of dependable service.

Made in the U.S.A. by

Built-RiteMfg., Inc.



M3282 01/2008

NEW DIMENSION

INITIAL PINCH TYPE

Power Rolls



SPECIFICATIONS:

Model Number	Capacity A - 36 MS	Roller Diameter	HP 208-230/460/360	Surface Feet per Minute	Working Area (between bearings)	Standard Pinch Roll Openings	Working Height	Overall Height	Floor Space	Approx. Shipping Weight
P2.135	2' 10 ga.	3-1/2"	1-1/2	18	26"	1/4"	34"	42"	24"x58"	1150 lbs.
P3.105	3' 12 ga.	3-1/2"	1-1/2	18	38"	1/4"	34"	42"	24"x70"	1300 lbs.
P4.075	4' 14 ga.	3-1/2"	1-1/2	18	50"	1/4"	34"	42"	24"x82"	1450 lbs.
P5.059	5' 16 ga.	3-1/2"	1-1/2	18	62"	1/4"	34"	42"	24"x94"	1600 lbs.
P6.036	6' 20 ga.	3-1/2"	1-1/2	18	74"	1/4"	34"	42"	24"x106"	1750 lbs.
P8.024	8' 24 ga.	3-1/2"	1-1/2	18	98"	1/4"	34"	42"	24"x130"	2050 lbs.
P2.165	2' 8 ga.	4-1/2"	2	18	26"	3/8"	34"	44"	26"x58"	1520 lbs.
P3.150	3' 9 ga.	4-1/2"	2	18	38"	3/8"	34"	44"	26"x70"	1740 lbs.
P4.120	4' 11 ga.	4-1/2"	2	18	50"	3/8"	34"	44"	26"x82"	1960 lbs.
P5.075	5' 14 ga.	4-1/2"	2	18	62"	3/8"	34"	44"	26"x94"	2200 lbs.
P6.059	6' 16 ga.	4-1/2"	2	18	74"	3/8"	34"	44"	26"x106"	2400 lbs.
P8.036	8' 20 ga.	4-1/2"	2	18	98"	3/8"	34"	44"	26"x130"	2850 lbs.
P2.187	2' 3/16"	5"	3	18	26"	1/2"	34"	44"	26"x60"	1640 lbs.
P3.165	3' 8 ga.	5"	3	18	38"	1/2"	34"	44"	26"x72"	1940 lbs.
P4.150	4' 9 ga.	5"	3	18	50"	1/2"	34"	44"	26"x84"	2240 lbs.
P5.135	5' 10 ga.	5"	3	18	62"	1/2"	34"	44"	26"x96"	2540 lbs.
P6.105	6' 12 ga.	5"	3	18	74"	1/2"	34"	44"	26"x108"	2840 lbs.
P8.059	8' 16 ga.	5"	3	18	98"	1/2"	34"	44"	26"x132"	3740 lbs.
P10.036	10' 20 ga.	5"	3	18	122"	1/2"	34"	44"	26"x156"	4640 lbs.
P3.250	3' 1/4"	6"	3	16	38"	9/16"	34"	44"	28"x73"	2440 lbs.
P4.250	4' 1/4"	6"	5	16	50"	9/16"	34"	44"	28"x85"	3040 lbs.
P5.187	5' 3/16"	6"	5	16	62"	9/16"	34"	44"	28"x97"	3640 lbs.
P6.135	6' 10 ga.	6"	5	16	74"	9/16"	34"	44"	28"x109"	4240 lbs.
P8.105	8' 12 ga.	6"	5	16	98"	9/16"	34"	44"	28"x133"	5140 lbs.
P10.059	10' 16 ga.	6"	3	16	122"	9/16"	34"	44"	28"x157"	6040 lbs.
P4.375	4' 3/8"	7"	5	15	50"	5/8"	34"	46"	32"x90"	4400 lbs.
P5.250	5' 1/4"	7"	5	15	62"	5/8"	34"	46"	32"x102"	5000 lbs.
P6.250	6' 1/4"	7"	5	15	74"	5/8"	34"	46"	32"x114"	5500 lbs.
P8.135	8' 10 ga.	7"	5	15	98"	5/8"	34"	46"	32"x138"	6500 lbs.
P10.105	10' 12 ga.	7"	5	15	122"	5/8"	34"	46"	32"x162"	7700 lbs.
P4.437	4' 7/16"	8"	7-1/2	13	50"	5/8"	38"	48"	36"x95"	4300 lbs.
P5.375	5' 3/8"	8"	7-1/2	13	62"	5/8"	38"	48"	36"x107"	5900 lbs.
P6.312	6' 5/16"	8"	7-1/2	13	74"	5/8"	38"	48"	36"x119"	7500 lbs.
P8.187	8' 3/16"	8"	7-1/2	13	98"	5/8"	38"	48"	36"x143"	8700 lbs.
P10.135	10' 10 ga.	8"	7-1/2	13	122"	5/8"	38"	48"	36"x167"	9900 lbs.
P4.500	4' 1/2"	8-1/2"	7-1/2	12	50"	3/4"	40"	50"	36"x95"	8500 lbs.
P5.437	5' 7/16"	8-1/2"	7-1/2	12	62"	3/4"	40"	50"	36"x107"	9100 lbs.
P6.375	6' 3/8"	8-1/2"	7-1/2	12	74"	3/4"	40"	50"	36"x119"	9700 lbs.
P8.250	8' 1/4"	8-1/2"	7-1/2	12	98"	3/4"	40"	50"	36"x143"	11,000 lbs.
P10.187	10' 3/16"	8-1/2"	7-1/2	12	122"	3/4"	40"	50"	36"x167"	12,200 lbs.
P5.500	5' 1/2"	9"	10	12	62"	3/4"	42"	52"	38"x109"	9800 lbs.
P6.500	6' 1/2"	9"	10	12	74"	3/4"	42"	52"	38"x122"	10,500 lbs.
P8.375	8' 3/8"	9"	10	12	98"	3/4"	42"	52"	38"x146"	11,900 lbs.
P10.250	10' 1/4"	9"	10	12	122"	3/4"	42"	52"	38"x170"	13,800 lbs.

Manufacturer reserves the right to change specifications without notice.

STANDARD FEATURES

- Roller and ball bearings throughout
- Open end manual with locking device
- Longitudinal grooves on forming and pinch rolls
- Forward and reverse safety foot switch
- All welded steel construction - no cast iron
- Front and back OSHA-type, full length wire cable safety mechanism
- Magnetic brake on drive motor
- Power adjust on forming roll
- Manual adjust on pinch roll
- Solid alloy steel rolls
- Pinch type construction
- Automatic top roll lift
- Up to 3/4" roll opening
- Completely enclosed drive
- All rolls powered

OPTIONAL FEATURES

- Special working height
- Special painting
- Casters on certain models
- Circular wire grooves
- Cone rolling attachments
- Air-operated open end
- Carbox or molded rubber coated rolls
- Digital readout on forming roll
- AC variable speed drive
- Single phase electricals
- Power adjust on Pinch Roll
- Chrome faced rolls
- Induction hardened rolls

WE CUSTOM-BUILD TO YOUR SPECIFICATIONS

The dimensions are for standard models. We can also build, to your specifications, units with automated controls which combine the power roll with other production equipment.

WARRANTY: Warranty is extended only to the buyer who purchases the equipment directly from Built-Rite, or from an authorized dealer, as new merchandise.

This equipment is warranted by Built-Rite to be free from manufacturing defects for one year after delivery provided that it is properly operated under conditions of normal use and that regular periodic maintenance and service is performed, except that such warranty is limited to 30 days with respect to expendable parts and, for parts that are purchased by Built-Rite, to the period granted Built-Rite by the vendor of these parts. The foregoing warranty shall not apply if this equipment has been repaired or altered by anyone other than authorized Built-Rite representative or if the equipment has been subject to abuse, misuse, negligence, or accident. THERE ARE NO WARRANTIES WHICH EXTEND BEYOND THE DESCRIPTION OF THIS EQUIPMENT CONTAINED IN THIS SALES BROCHURE, OTHER THAN THE FOREGOING WARRANTY. BUILT-RITE MAKES NO WARRANTY OF MERCHANTABILITY IN RESPECT TO THIS EQUIPMENT.



Made in the U.S.A. by

Built-Rite Mfg., Inc.